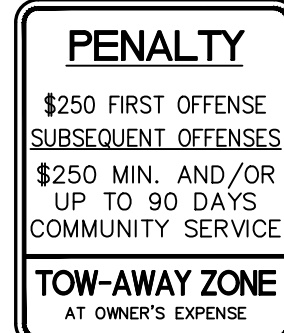


- NOTES:
1. ALL STALLS SHALL BE A MINIMUM OF 8'X18'.
 2. SPACES DESIGNATED AS BEING "VAN ACCESSIBLE" SHALL BE ADJACENT TO ACCESS AISLES WITH A MIN. WIDTH OF 8 FEET.
 3. PROPOSED STRIPING SHALL BE BLUE IN COLOR.
 4. STRIPING SHALL BE LONG-LIFE LATEX

ACCESSIBLE PARKING STRIPING LAYOUT
N.T.S.



R7-8
12" x 18"

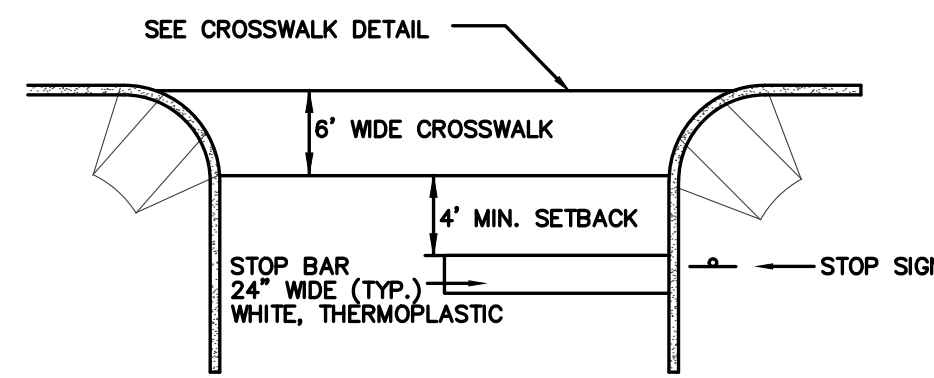


R7-8P
10" x 12"

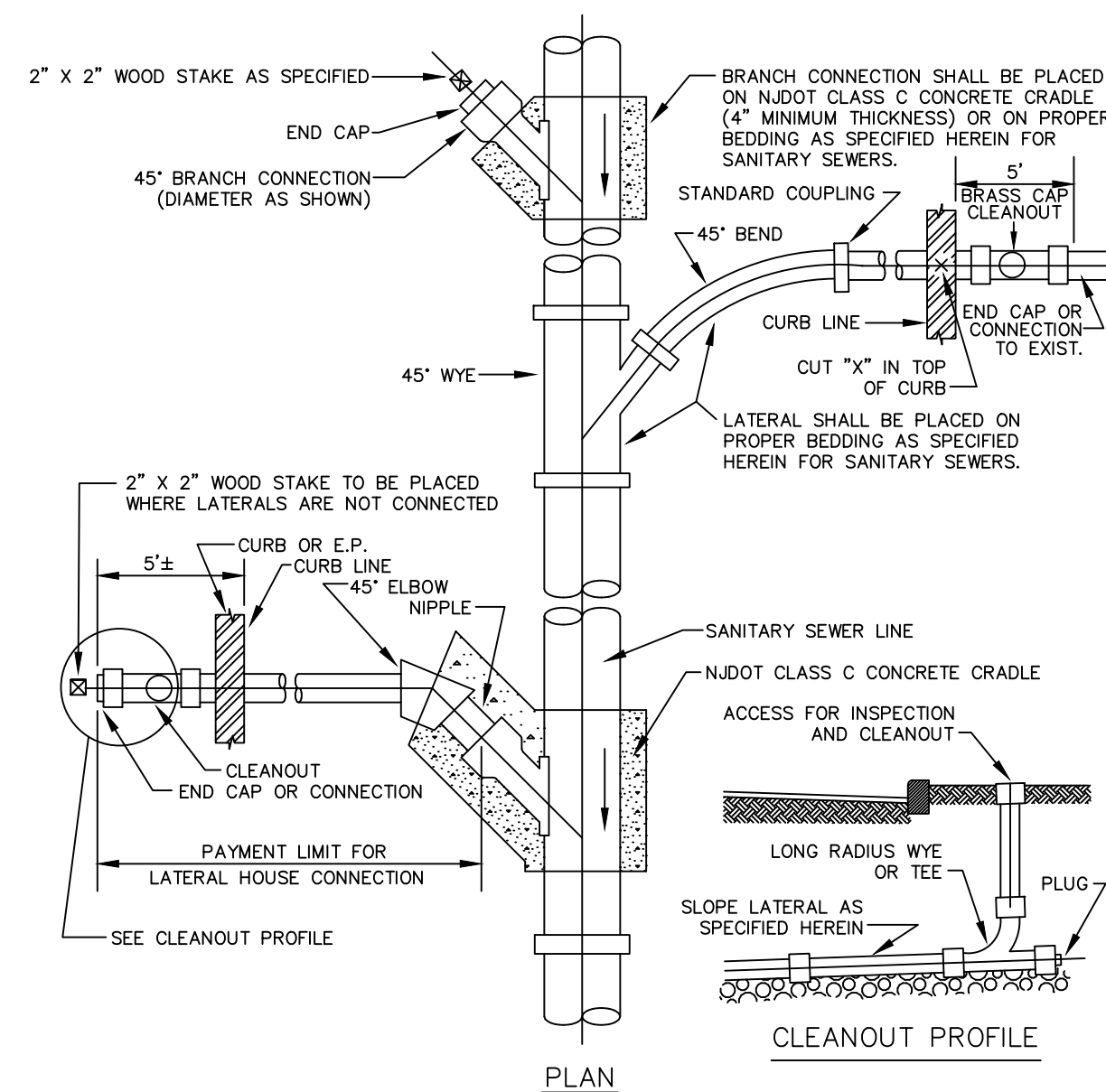


R7-8A
12" x 6"

A.D.A. SIGNAGE
N.T.S.

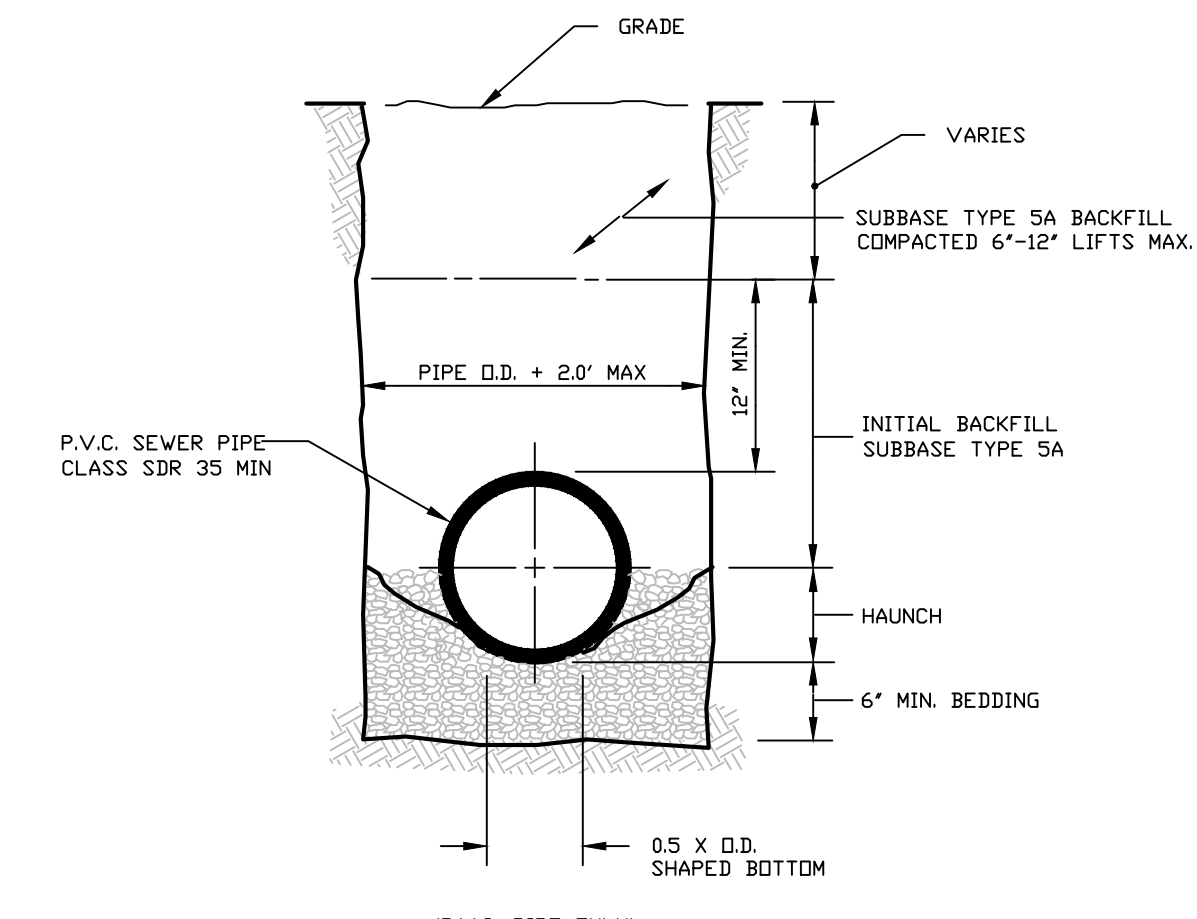


STOP BAR STRIPING AND SIGNAGE
N.T.S.



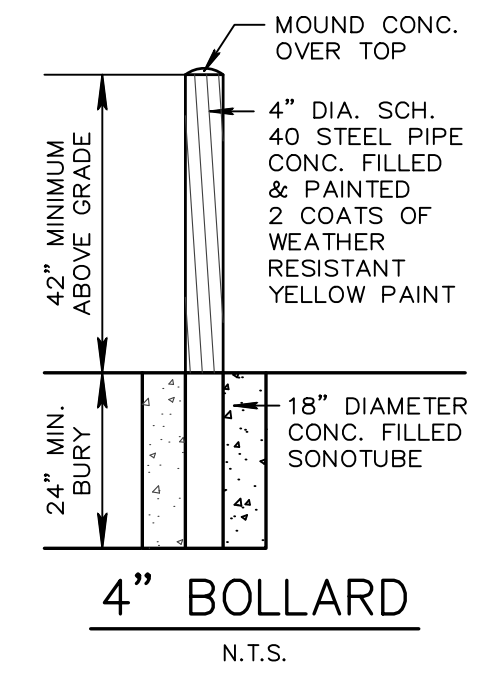
- CONSTRUCTION NOTES:**
1. DETAIL SHOWS CONSTRUCTION OF A "BRANCH CONNECTION" AND OF TWO DIFFERENT TYPES OF "LATERAL HOUSE CONNECTION". TYPE CONNECTION IS AT CONTRACTOR'S OPTION.
 2. SIZE OF LATERAL TO BE AS SHOWN ON THE PLANS OR AS DIRECTED, 4" MINIMUM.
 3. CLEAN-OUTS SHALL BE COVERED WITH A PROTECTION BOX - SEE DETAIL.

BRANCH & LATERAL HOUSE CONNECTIONS
N.T.S.

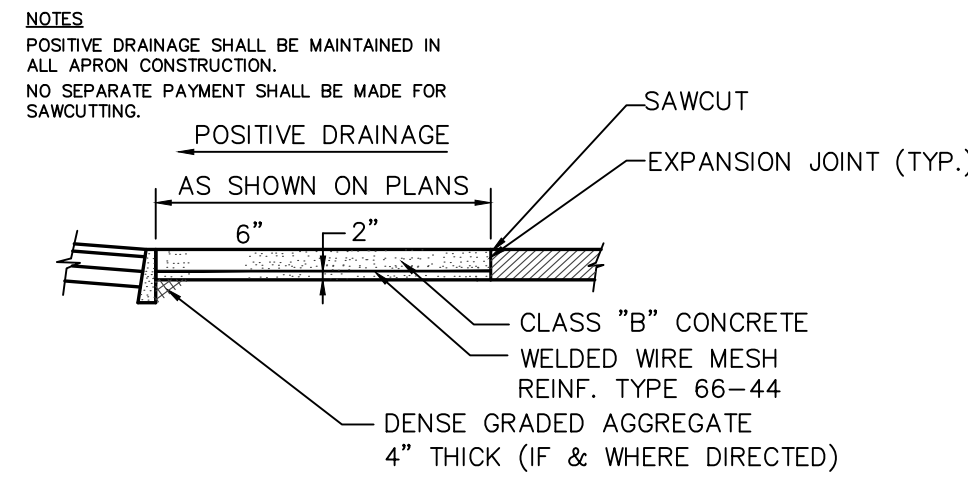


- NOTES:
1. HAUNCH & BEDDING 3/4" CLEAN CRUSHED STONE OR GRAVEL
 2. HYDROHAMMERS ARE NOT TO BE USED 3' OR LESS FROM TOP OF PIPE.

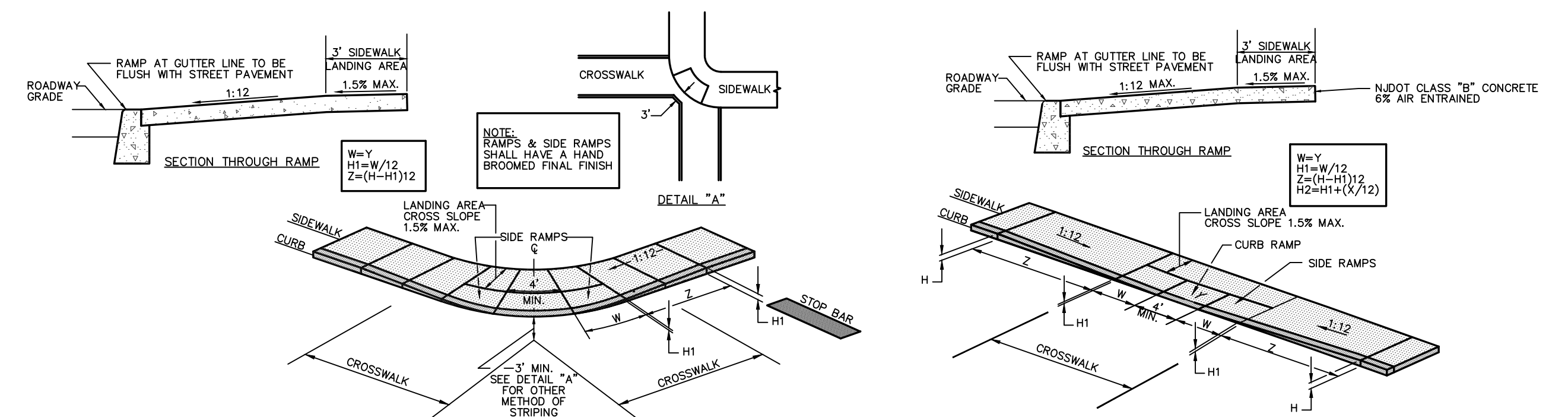
STANDARD PIPE BEDDING FOR P.V.C. PIPE
N.T.S.



4" BOLLARD
N.T.S.

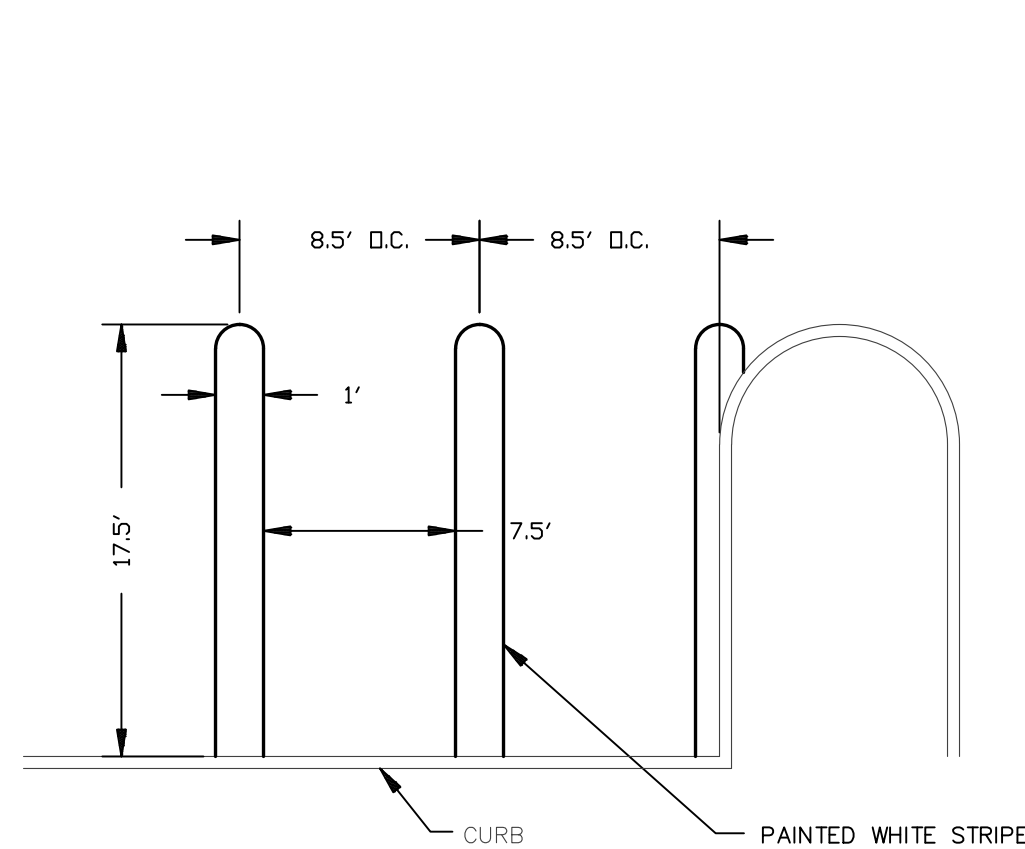


CONCRETE APRON, 6" THICK, REINFORCED
N.T.S.

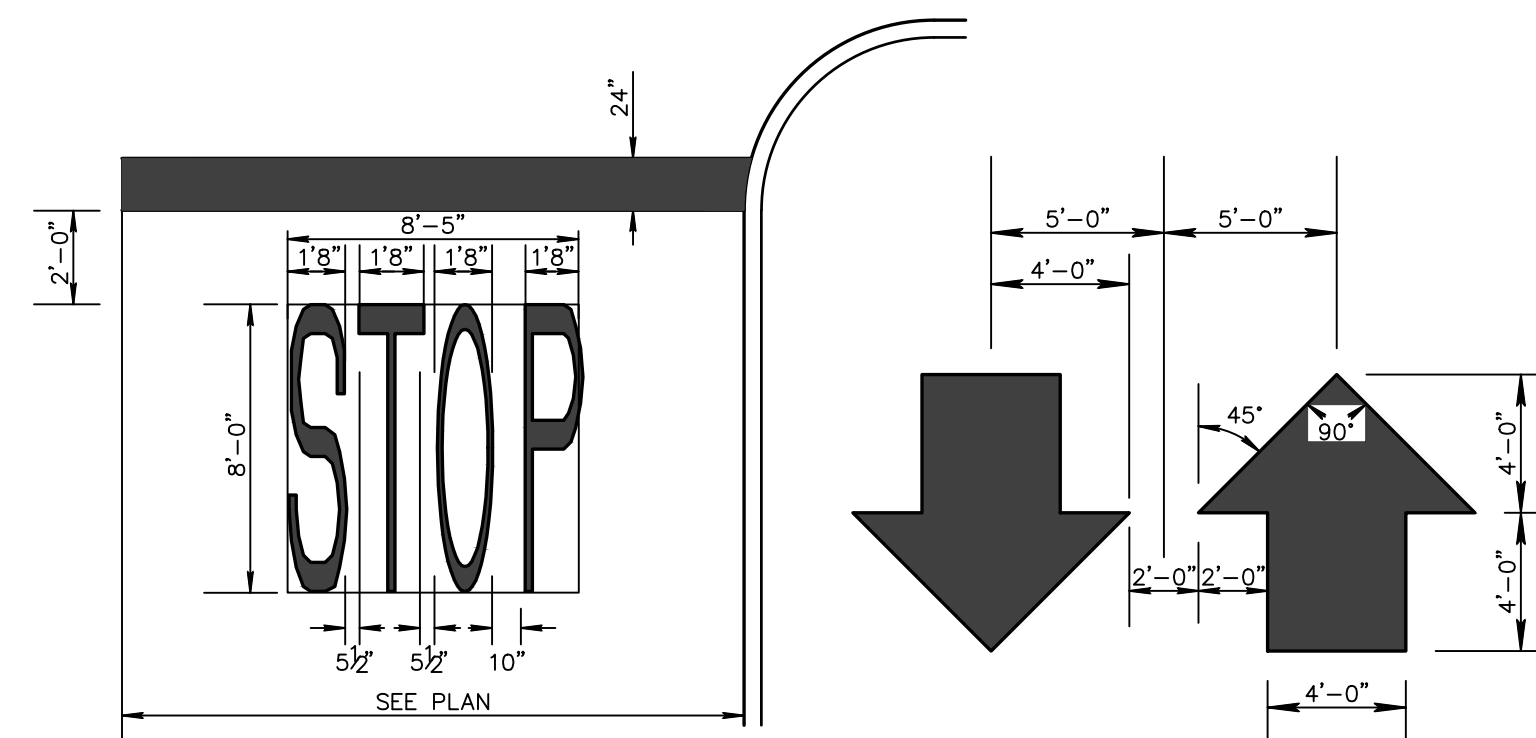


N.J.D.O.T. DESIGN STANDARDS FOR CURB RAMPS FOR THE PHYSICALLY HANDICAPPED

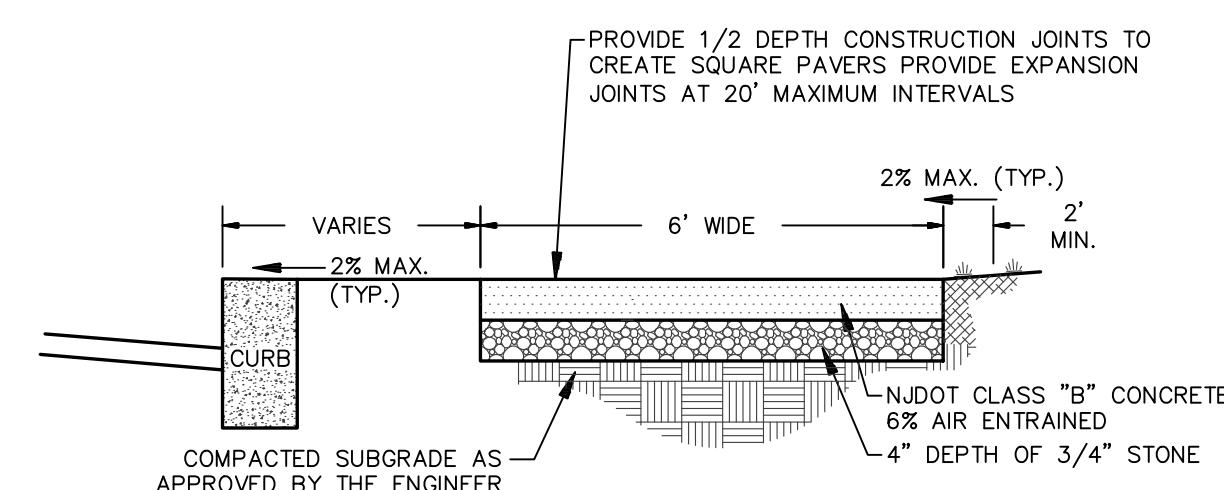
NOT TO SCALE



TYPICAL PARKING STALL STRIPING DETAIL
N.T.S.



PAVEMENT MARKINGS
N.T.S.
(PAVEMENT MARKINGS SHALL BE LONG LIFE THERMOPLASTIC)



CONCRETE SIDEWALK 4" THICK
NOT TO SCALE

2	04-08-2021	REVISED PER ENGINEERS LETTER DATED 2-4-21.
1	10-1-2020	REVISED FOR COMPLETENESS
REV.	DATE	DESCRIPTION
<p>TRE TWO RIVER ENGINEERING www.tworivereng.com P.O. Box 155 Colts Neck, N.J. 07722 Tel: 732.866.0111 Fax: 732.866.4348</p>		
<p>DETAIL SHEET "PARK VALLEY DEVELOPMENT" PRELIMINARY & FINAL MAJOR SITE PLAN OF BLOCK 33 LOT 9.01 TAX MAP SHEET NO. 2 BOROUGH OF RED BANK MONMOUTH COUNTY NEW JERSEY</p>		<p>PROJECT NO.: 19079 DATE: APRIL 8, 2020 DRAWING NO.: 19079-01A CLIENT: PARK VALLEY SCALE: N/A</p>
<p>A.J. GARITO, JR. DATE: 04-08-21 N.J. Professional Engineer License No. 24GE03799700</p>		<p>SHEET NO. 8A OF 8</p>